

Sani Jon® Manufactured by Porta John®

You can View our Sanitation Product Line on the Following Web Sites:

www.ComfortStations.com - www.ToiletSales.com
www.PortableSanitation.com - www.Toilets.com
www.PortableToilets.com



Model SJHD 450



Exterior View



Model SJSDCS 520



(Patents Issued and Pending)

The versatility of the Heavy Duty Sani Jon® Model SJHD 450 Portable Toilet upholds our long-standing commitment to giving our customers a continuous new and vibrant product stream of proprietary products to improve sanitation quality and efficiency.

Sani Jon® Chassis

The Sani Jon® is versatile, and not just another Plastic Lavatory Box.

Advantages

Advantage One: Heavy Duty, Larger Size

Advantage Two: Double Aluminum Corners & Doorjamb

Advantage Three: Flip Top Lid For Complete Tank Access

Advantage Four: Cost Efficient Conversion to a Comfort Station

Advantage Five: Sani Jon® on Wheels - Model SJHD 450T

Advantage Six: Sani Jon® Dump Your Own Model SJHD 450DV

Please feel free to contact me (Earl Braxton 800-521-6310 {US} 586-739-4611 {Int'l}) with your questions.

Table of Contents

Model SJHD 450 Drop Tank Toilet Pages 3 - 6

More About Comfort Stations Patented Fresh Water Flush Pages 7 - 9

Model 450T – 520T Trailer Mounted Page 10

Model SJHD 450D Dump Valve Page 11

Model SJHDRCF 490 Recirculating Flush Page 12

Literature on Other Products We Offer:

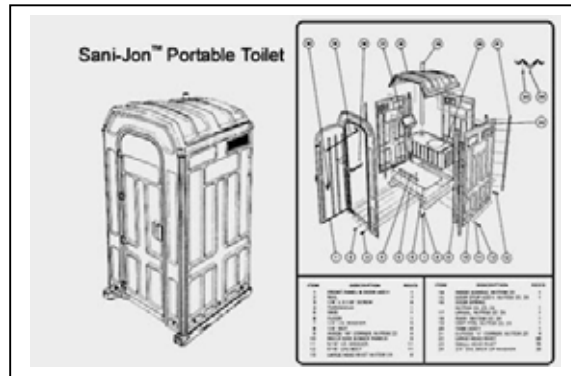
Comfort Stations: <http://online.1stflip.com/dnlx/3249/>

Single Stall Showers: <http://online.1stflip.com/dnlx/31vs/> vh

Handicapped Toilets: <http://online.1stflip.com/dnlx/324a/>

References: <http://online.1stflip.com/dnlx/323u/#p=8>

Advantage One Heavy Duty, Larger Size
Sani Jon® Model SJHD 450



Roomy, Pleasing to the Eye
Perfect for Long Term Use
Patented Design
Double Aluminum Corners & Door Jam
44" x 48" x 89"
1.12m x 1.12m x 2.26m
218 lbs.

Holding Tank Sizes Range from 68 Gallons (US)

Model #SJHD 450 Different Models

Advantage One: Aluminum Door Frame in all Models



PRODUCT DURABILITY AND CONVERTIBILITY FOR THE LONG TERM

Advantages of the Sani Jon®: Aluminum Frame – Double Aluminum Corners Illustrated Throughout this Document.

Sani Jon® SJHD 450

Advantages

Advantage Two: Double Aluminum Corners & Doorjamb



**Aluminum
Corners for Long Life**



**Inside Aluminum Corner
for Durability**

Advantage Three: Flip Top Lid for Complete Tank Access

Flip top For Complete Tank Cleaning - Allows Inspection of the Entire Tank



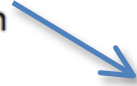
Complete Access to the 68 Gallon Holding Tank for:

- Cleaning and Disinfecting
- Easy Removal of Trash
- Easy Safety Inspection and Removal of Trash

Advantage Four: Cost Efficient Conversion to a Comfort Station

Conversion to a Comfort Station

Model SJSDCS 520 With New Low Profile Cistern



Model SJSDCS 520
Ceramic Bowl & Sink

Water Source:

- Garden Hose
- Water Tank
- Hard Plumbing

Waste Removal:

- Holding Tank
- Mains
- Septic Tank



The Porta John® Patented Comfort Station units are moveable, require no steps, no internal waste reservoir, no chemicals, a 40% chance of not needing to contract with a pumping service.

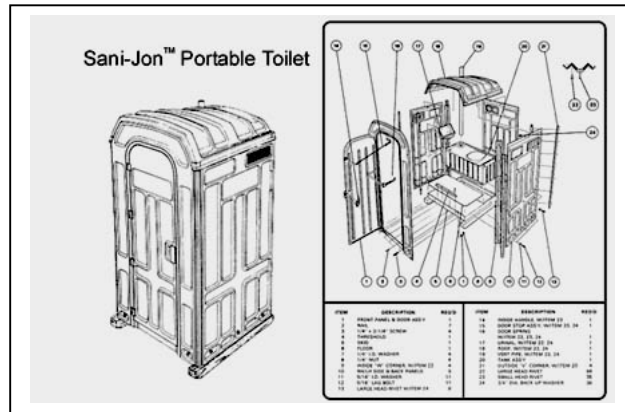


Model HT & WT 304
300-Gallon Waste or Water Tank



Dimensions: 18" (.46m) high x 84" (2.13m) long x 48" (1.22m) wide **Capacity:** 300 U.S. Gallons/ 1.200 Liters

Advantage Five: Sani Jon® on Wheels - Model SJHD 450T



Trailer Model SJHD 450DV can be fitted with a Dump Valve



Roomy, Pleasing to the Eye
Perfect for Long Term Use
Patented Design
Aluminum Clad Edges
44" x 44" x 89"
1.12m x 1.12m x 2.26m
218 lbs.

Sani Jon® Trailer Mounted Holding Tank Capacity 68 Gallons (US) 272 Liters



Every Dump Valve SJHD 450DV Comes with all Supplies Required to Operate the Dumping System

More About The Sani Jon® Comfort Stations

The Fixtures are Standard Ceramic Bathroom Fixtures

"No Marine or RV type fixtures"

Model SJSDCS 520
Ceramic Bowl & Sink

Water Source:

- Garden Hose
- Water Tank
- Hard Plumbing

Waste Removal:

- Holding Tank
- Mains
- Septic Tank



Sani Jon® Deluxe Comfort Station Model SJSDCS 520

No Waste or Chemicals Inside the Lavatory Stall - Fresh Water Flush

Roof is translucent for easy overhead lighting.



The Porta John® Patented Comfort Station units are moveable, require no steps, no internal waste reservoir, no chemicals, may be plumbed to a sewer or septic tank.

Garden hose can be the water source.



Model HT 304

Dimensions: 18" (.46) high x 84" (2.13m) long x 48" (1.22m) wide
Capacity: 300 U.S. Gallons / 1,200 Liter

300-Gallon (1200 Liters) Waste Tank

Sani Jon® Premium Comfort Station

Model SJSPCS 600

The Comfort Station Models in this literature can be used in any combination.



Outside View



Inside View

- Unit can be Plumbed to Sewer
- Optional Electricity
- Translucent Roof for Night Use
- Fresh Water Flush & Hand Wash
- Ceramic Sink & Toilet



Water and Sewer Connection



Model SJSPCS 600

No RV Parts

Ceramic Sink & Toilet - 9 Second Faucet Shut Off

Dimensions: 44" x 44" 89"

Model SJSPCS 600E

With Optional Electricity



Model SJSPCS 600E

Right and Left Inside View of Model SJSPCS 600E



Front View

Model SJSPCS 600E with Electricity

On & Off Switch
2 - 110v Receptacle Outlets

Vent Fan
Safety Light



Rear View

300-Gallon Waste Tank



Model HT 304

Dimensions: 18" (.46) high x 84" (2.13m) long x 48" (1.22m) wide Capacity: 300 U.S. Gallons / 1,200 Liter

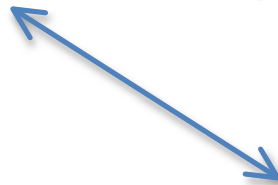


**Dual Toilet Trailer Model 450T
Internal or External Sink**

Dimensions: 14' x 5'8"
13" Wheels
3,500 LB Axle
2" Trailer Ball Receiver
Safety Chain

Trailer Frame is 3" x 2" Steel Tubing
2 Rear Folding Jacks -1 Front Wheeled Jack
Toilets Mounted on 2 - 4" x 8' x 1/4" Channel
Front & Rear Step Diamond Plate: 9" x 20"
Front Step Steel Tubing: 2" x 2"
Rear Step Steel Tubing: 2" x 5"

Front Railing Made from Steel Pipe



**Dual Toilet Trailer Model 450DT
Internal Sink and Dump Valves
are Optional**



**Dual Toilet Trailer Model 450T
External Sink**

Comfort Station Model SJHD 520

Can be attached to a municipal water source or used with a water tank and battery operated pressure pump. Waste and water tanks can be up to 300 gallons (1200 Liters) each.

Contact us for Specifications or a Quotation



Advantage Six: Sani Jon® Dump Your Own Model SJHD 450DV



Sani Jon® with 3" Dump Valve



After dumping the holding tank, pour several gallons of water to wash tank bottom and exit pipe.

Recharge holding tank with several ounces of EMJ 2075 Deodorizer with 5 gallons of water. In cold climates always add a salt-water mix after you dump the tank.

This unit is shipped either completely assembled or 75% assembled. There is no extra charge for assembly.



Fig. 1 - Attach Bracket



Fig. 2 - Attach 90 Degree Elbow



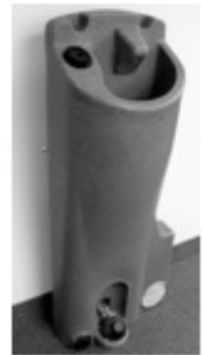
Fig. 3 - Attach Dump Valve



**Model FWFPT 490 Has 12 gallon (36 Liter) Water Reservoir
Water Reservoir is for Fresh Water Hand Washing and Toilet Flushing**



Paper Towel Dispenser



**Foot Pump
Operated
Hand Wash
Sink**



Toilet Deodorizer



9' Toilet Tissue Dispenser

**Foaming Hand Wash Dispenser
Starter Supplies Included**

